



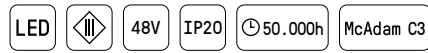
SPOT 48V

TINY SYSTEM



SPECIFICATIONS

Qualities



Led Colour



Regulation



Beam Angle



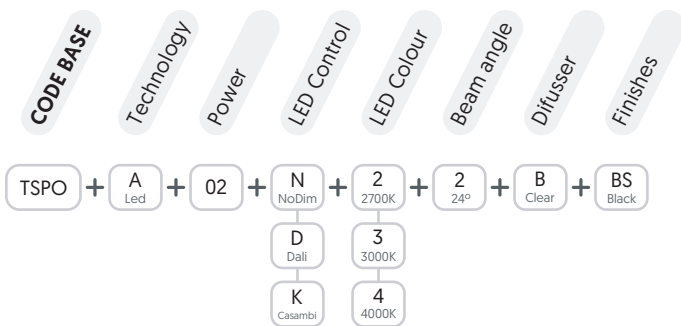
Finish



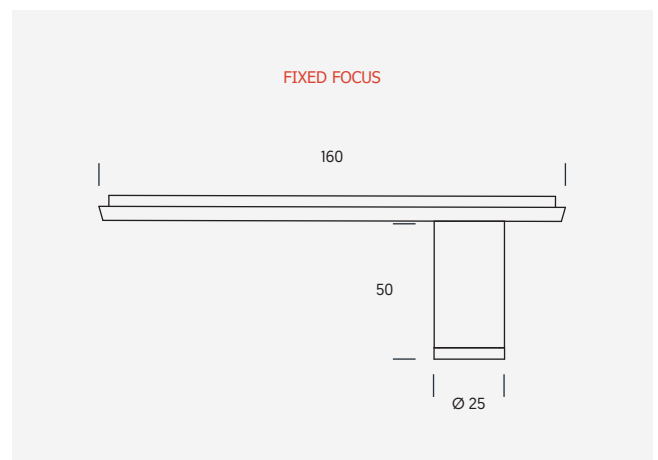
Diffuser



REFERENCE CODE



TECHNICAL DRAWINGS



LIGHT SOURCE

	W	V	TEMP	LUM	CRI
SPOT	2.5	48V	2.700K	258	>90
			3.000K	270	
			4.000K	285	