



BALO 90

PENDANT SYSTEM



Balo Sys.Pendant ≈ 4W > 500lm **BSP2 A 09 . . 9 . .**

BASIC OPTIONS

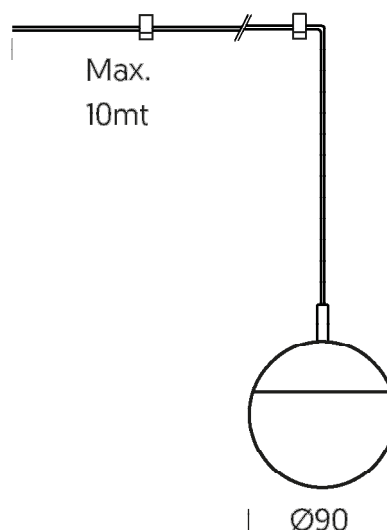
	N	No Dimmable						
	3	3000K						
	9	120°						
	BS	Satin Black	BSP2	A	09	N	3	9 . BS

CUSTOMIZE OPTIONS

LED CONTROL								
	D	Dimmable Dali	BSP2	A	09	D	.	9 . BS

TEC.DRAWINGS

BALO Ø90



ACCESSORIES

FRENA CABLE / CABLE CLAMP



FSTN X XX X X X X **BS**



Satin Black