

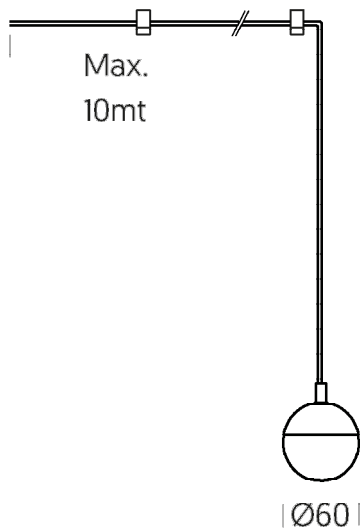
# BALO 60

## PENDANT SYSTEM



### TEC.DRAWINGS

BALO Ø60



Balo Sys.Pendant ≈ 3W > 400lm **BSP1 A 06** • • **9** • •

### BASIC OPTIONS

	<b>N</b>	No Dimmable							
	<b>3</b>	3000K							
	<b>9</b>	120°							
	<b>BS</b>	Satin Black		<b>BSP1</b>	<b>A</b>	<b>06</b>	<b>N</b>	<b>3</b>	<b>9</b> • <b>BS</b>

### CUSTOMIZE OPTIONS

#### LED CONTROL

	<b>D</b>	Dimmable Dali		<b>BSP1</b>	<b>A</b>	<b>06</b>	<b>D</b>	•	<b>9</b> • <b>BS</b>
--	----------	---------------	--	-------------	----------	-----------	----------	---	----------------------

### ACCESORIES

FRENA CABLE / CABLE CLAMP

FSTN X XX X X X X X **BS**



Satin Black