



# BALO 150

## PENDANT SYSTEM



Balo Sys.Pendant ≈ 6W > 700lm **BSP3 A 15 . . 9 . .**

### BASIC OPTIONS

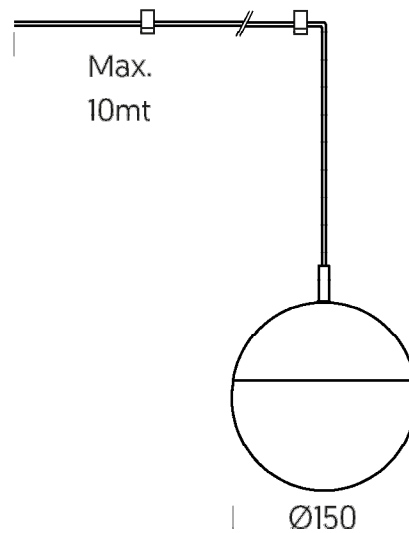
	<b>N</b>	No Dimmable						
	<b>3</b>	3000K						
	<b>9</b>	120°						
	<b>BS</b>	Satin Black	<b>BSP3</b>	<b>A</b>	<b>15</b>	<b>N</b>	<b>3</b>	<b>9</b> . <b>BS</b>

### CUSTOMIZE OPTIONS

<b>LED CONTROL</b>								
	<b>D</b>	Dimmable Dali	<b>BSP3</b>	<b>A</b>	<b>15</b>	<b>D</b>	<b>.</b>	<b>9</b> . <b>BS</b>

### TEC.DRAWINGS

BALO Ø150



### ACCESSORIES

FRENA CABLE / CABLE CLAMP



**FSTN X XX X X X X BS**

Satin Black